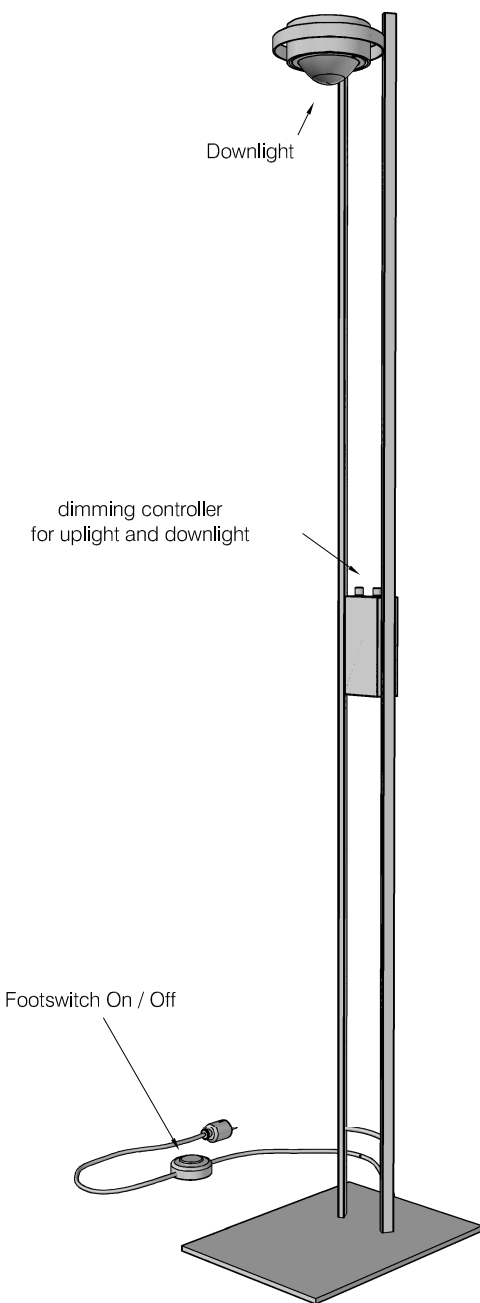
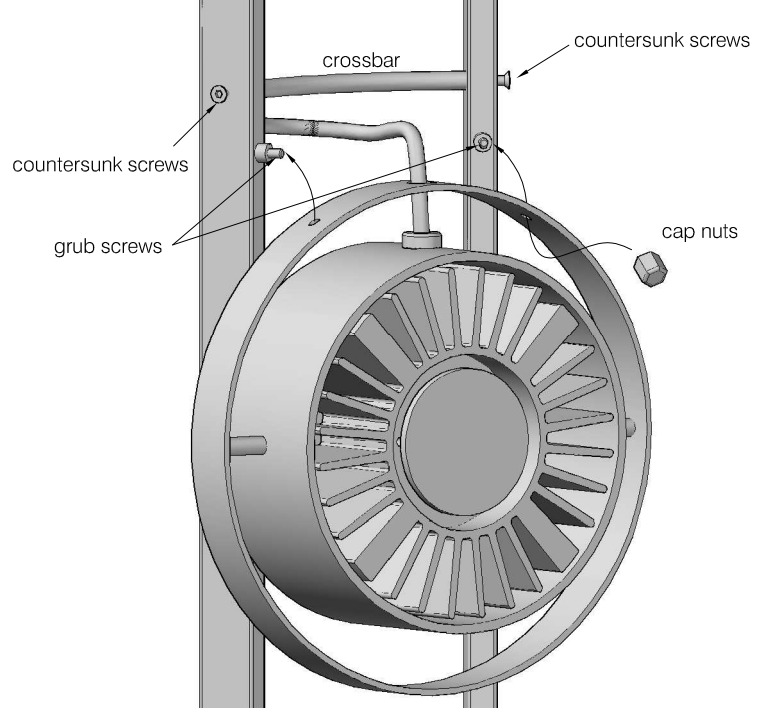


Master floor lamp



head mount



Note

The safety distance to the ceiling, as well as to objects and persons is at least 0.5m.

ATTENTION!

Make sure that the light is not plugged in during assembly.

Assembly

It is recommended that the installation be carried out by a specialist company. We ask for your understanding that we can only assume a warranty if properly installed

1. Carefully remove the floor lamp from the box and remove the packaging material. Lay the lamp on the floor with your back.
2. Loosen the countersunk screws of the cross bar. (Allen key is included)
3. Put the lamp head onto the grub screws, you have to pull apart the struts a bit. Fasten the head with the enclosed cap nuts (open-end wrench SW7 enclosed).
4. Retighten the countersunk screws of the cross bar.
5. Mount the footplate under the lamp. To do this, attach the foot plate with the countersunk screws. The screws must be flush in the countersink.
6. Set up the light carefully.

Dimming

The light can be switched on and off via the foot switch. You can adjust the light intensity with the dimmer controls. The uplight and downlight are separately adjustable.

Cleaning

Unplug the power cord and allow the light to cool. It is recommended to clean the lamp with a soft, dry cloth. For the lens you can use a commercially available glass cleaner.

Base mounting

