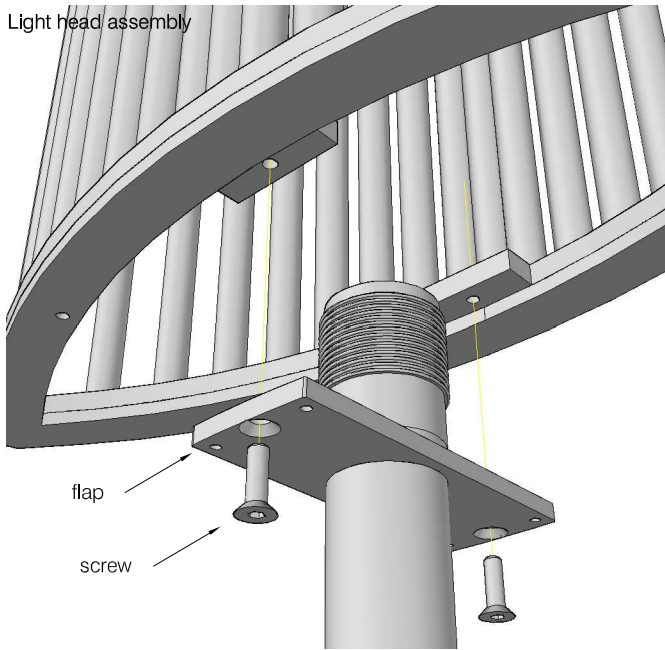
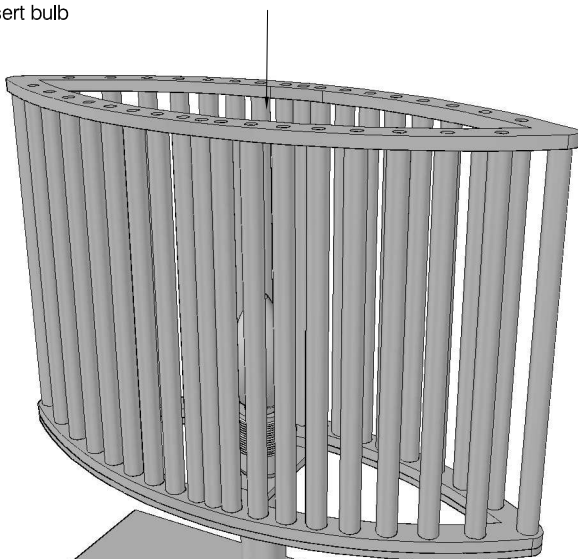


Light head assembly



Insert bulb



**Note**

The distance to the wall, as well as to objects and persons, must be at least 30cm each.

**ATTENTION!**

Insert the plug only after complete installation and only after the luminaire has been placed on a firm, level and even surface.

**Assembly**

It is recommended that the installation be carried out by a specialist. We ask for your understanding that we can only assume a warranty if properly installed.

**Light head assembly**

Place the light head on the flap and tighten the light head with the enclosed screws.

**Insert bulb**

Insert the enclosed lamp. The socket is equipped with a standard screw thread "E14". The light source can be used or replaced in the assembled state from above.

**Switching on, switching off and dimming the lamp**

To switch on the light, turn the dimming wheel until the light reaches the desired brightness. Do not turn the dial firmly against the stop. Turn the dial back to turn off. Do not turn the dial firmly against the stop.

**Cleaning the light**

Only clean the luminaire when it is completely cooled down and only when the mains plug is unplugged. It is recommended to clean the lamp with a soft dry cloth. To clean the glass rods, a commercial glass cleaner can be used. Impurities on the metal parts can also be removed with a glass cleaner.