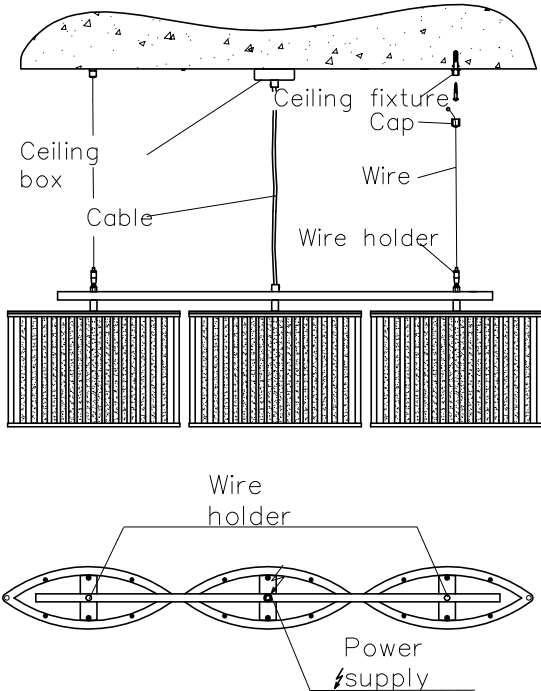


Stilio 3 und 5

Light source: max 120W, 230V, Socket: E14

The lamp has been designed and built in accordance with applicable harmonised standards and other technical specifications. It is therefore state-of-the-art and ensures safe operation. The lamp may only be used for the intended purpose.



Note:

The safety distance from the ceiling, and from objects or persons below the lamp, must be a minimum of 0.5 m when swivelled out.

ATTENTION!

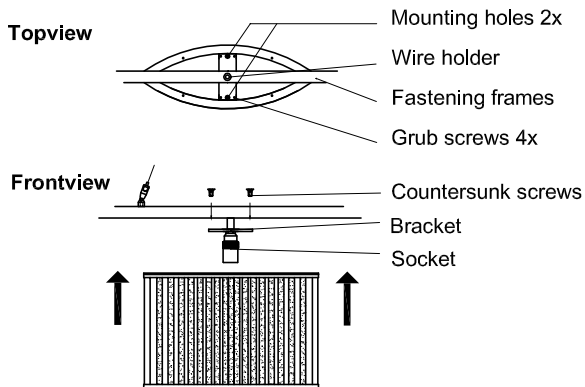
The connection cable must be isolated from the mains before assembly.

Assembly:

It is recommended that assembly is implemented by a specialist company. We ask for your understanding that we can only offer a guarantee if assembly is implemented correctly.

- ① Lay the lamp on the table or floor and position it according to where you want it, e.g. over the table or in the room.
- ② Align the securing points on the ceiling and mount the ceiling fixture on the aligned points.
- ③ Mount the fastening bracket of the ceiling box at the required position.
- ④ Guide the cable through the cover of the ceiling box, leave it lying on the lamp for the time being.
- ⑤ Pull the wire ends through the caps of the ceiling fixture, then screw tight and insert the wire ends into the wire holder.
- ⑥ Lift the lamp to the required height and then shorten the protruding wires.
- ⑦ Pull the cable through the strain relief clamp in the mounting box and pull it through. Adjust the cable so that it forms a light S shape.
- ⑧ Shorten the cable and then connect it. Push the cover up and fasten in place with the fastening screws.
- ⑨ Align the lamp with the help of a spirit level. Please note the graphic for the wire holder operating principle.
- ⑩ Mount the glass elements with the countersunk screws on the brackets, they can be turned for the assembly step.
Only tighten the screws lightly and then use the grub screws to align the glass element correctly.
- ⑪ Insert the bulbs.

Mounting the glass element



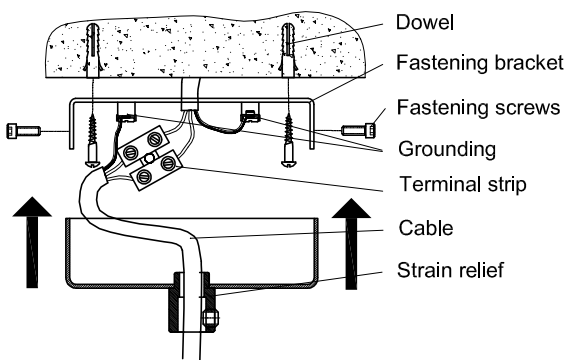
Dimming:

The lamp can be dimmed with any commercial dimmer.

Cleaning:

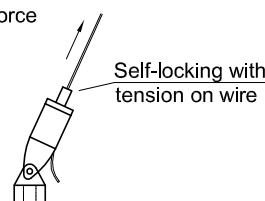
Only clean the lamp when it is completely cooled down. We recommend cleaning the lamp with a soft, dry cloth. A commercial glass cleaner can be used to clean the glass rods.

Mounting the ceiling box



Wire holder principle

Tensile force on wire



The self-locking mechanism is released when the wire gland is pushed back.

