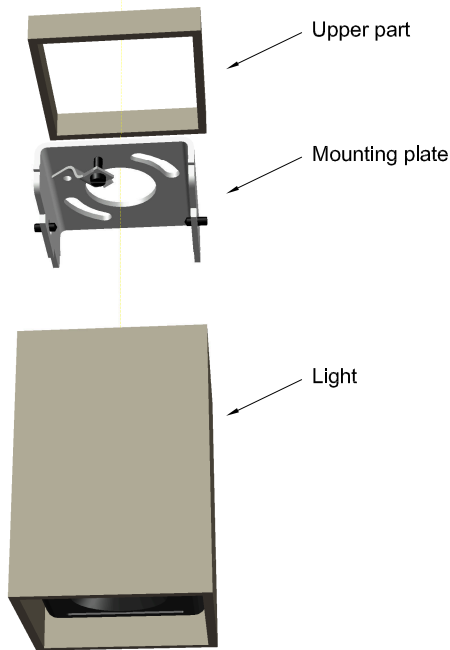


### Leuchtaufbau



#### Mounting instructions

It is recommended that the installation be carried out by a specialist company. We ask for your understanding that we can only assume a guarantee if the installation is carried out properly.

#### ATTENTION!

Before mounting, the connecting cable must be de-energized.

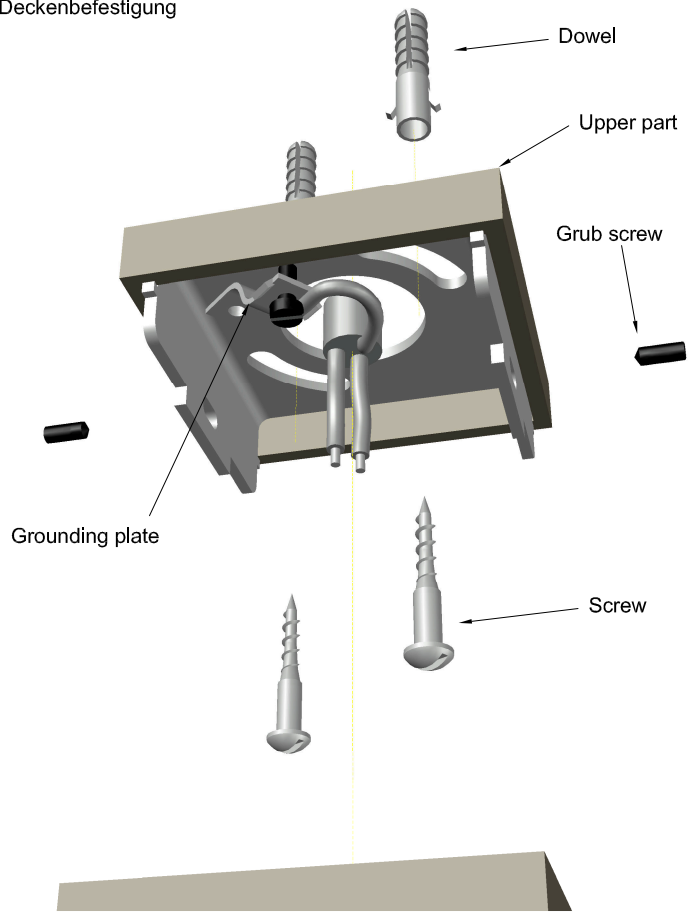
#### Dimming:

The luminaire can be dimmed with a commercially available LED dimmer.

#### Cleaning:

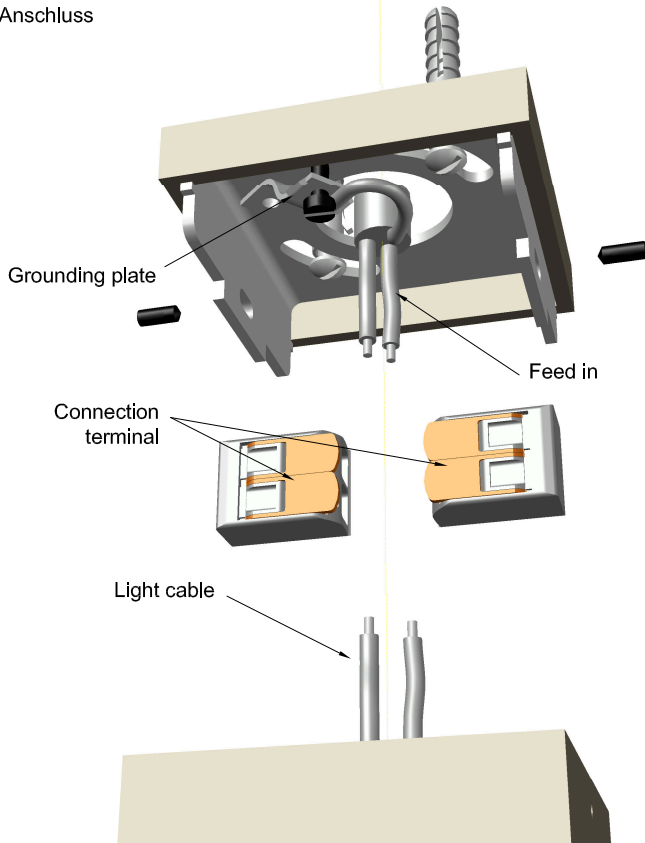
It is recommended to clean the luminaire with a soft, dry cloth.

### Deckenbefestigung



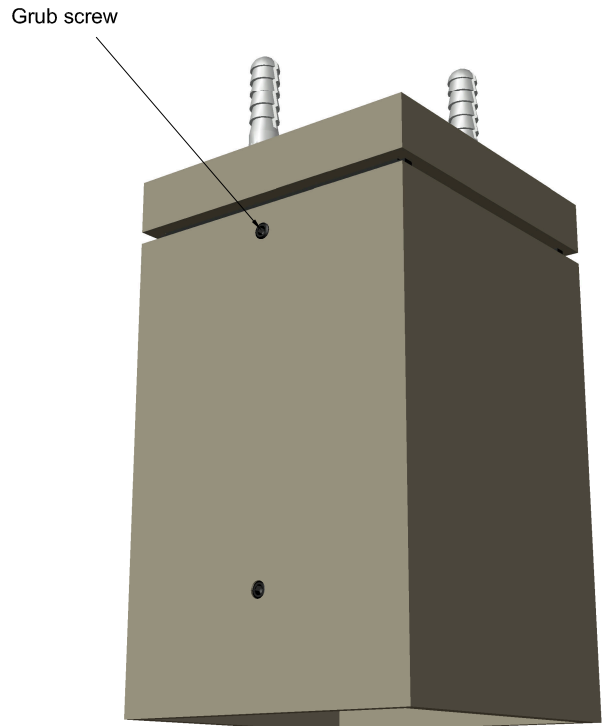
Place the upper part on the mounting plate and fasten it to the ceiling with screws and dowels.

### Anschluss



Connect the ground conductor of the supply cable to the grounding plate and connect the supply cable to the luminaire cable using the enclosed connection terminals.

### Verschraubung



Place the luminaire on the mounting plate and screw in the grub screw. CAUTION! Please only screw in flush with the luminaire housing. Do not screw in too far.