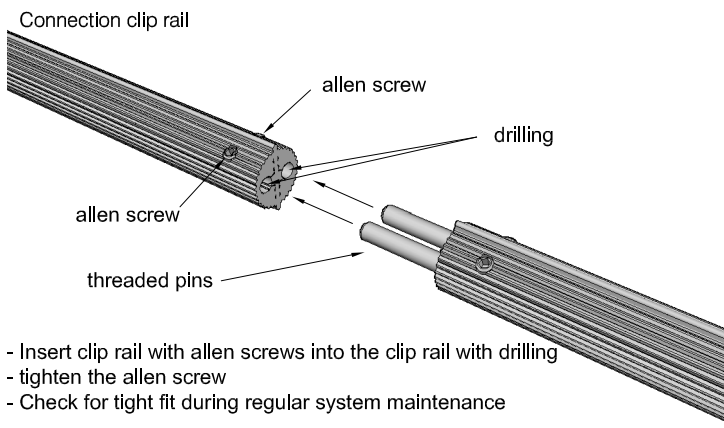
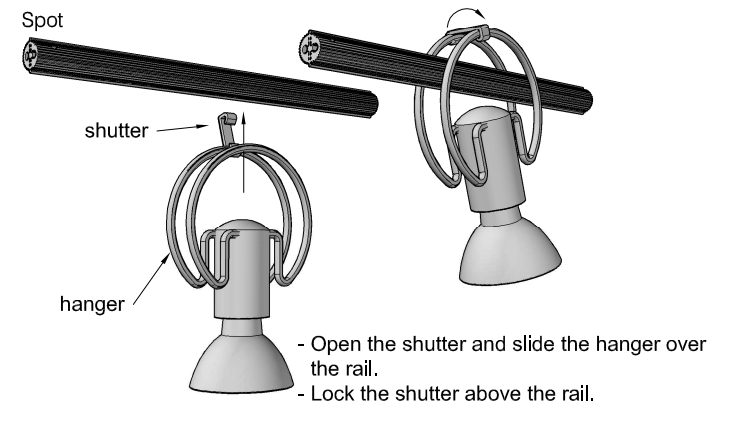


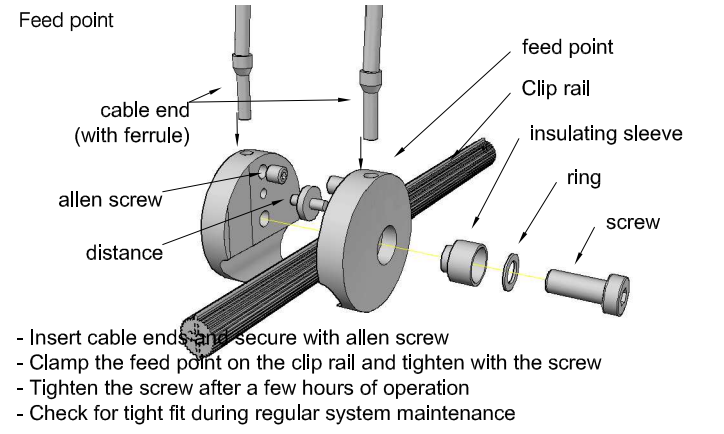
- Solder the attachment points to the ceiling.
- Fix the ceiling fasteners with screws and dowels.
- Pull the rope through the cap until the ball is in the cap.
- Screw the cap onto the ceiling fastener.



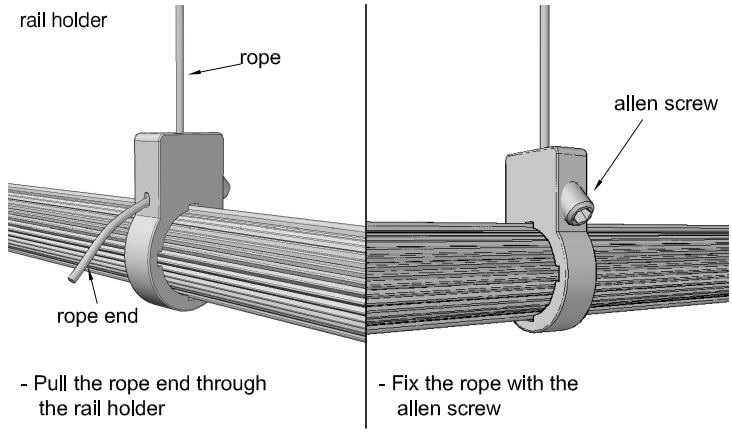
- Insert clip rail with allen screws into the clip rail with drilling
- tighten the allen screw
- Check for tight fit during regular system maintenance



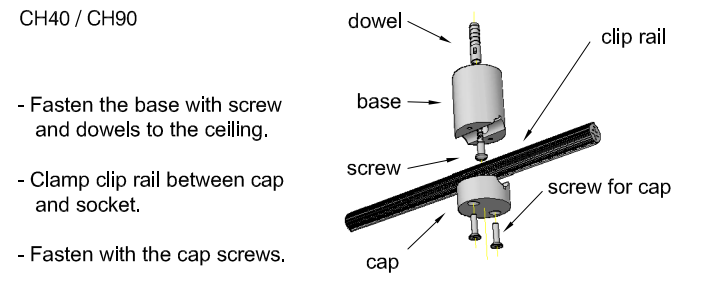
- Open the shutter and slide the hanger over the rail.
- Lock the shutter above the rail.



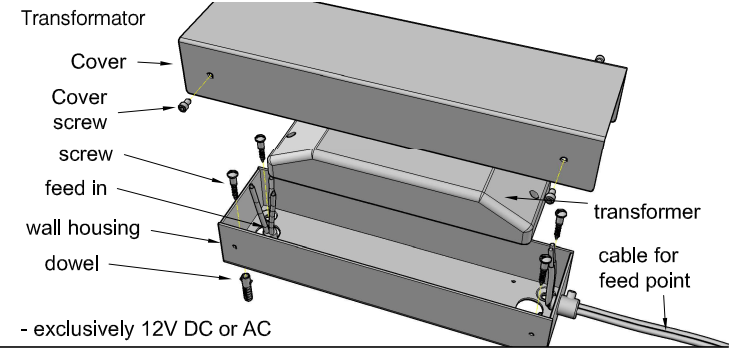
- Insert cable ends and secure with allen screw
- Clamp the feed point on the clip rail and tighten with the screw
- Tighten the screw after a few hours of operation
- Check for tight fit during regular system maintenance



- Pull the rope end through the rail holder
- Fix the rope with the allen screw



- Fasten the base with screw and dowels to the ceiling.
- Clamp clip rail between cap and socket.
- Fasten with the cap screws.



- exclusively 12V DC or AC

