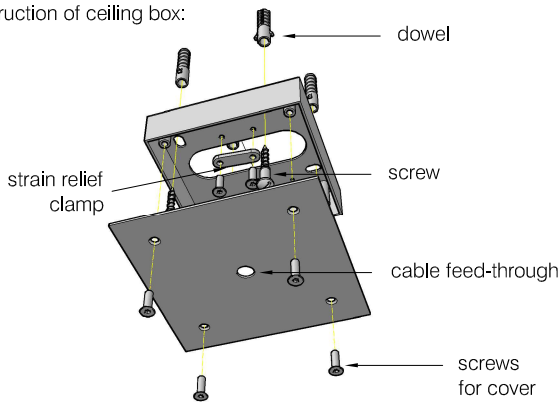


Construction of ceiling box:



Note:

The distance to the ceiling, as well as to objects and persons under the luminaire, must be in each case at least 0.5m.

ATTENTION!

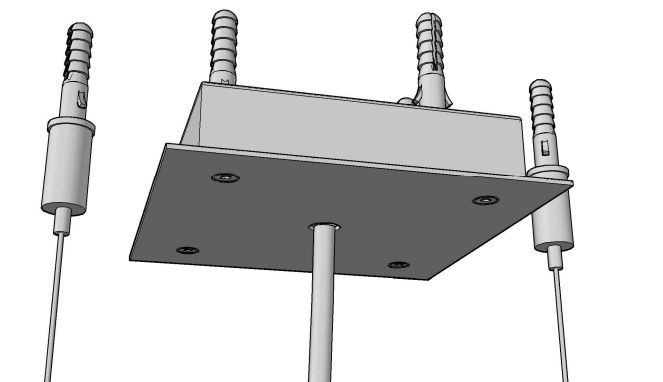
Before installation, the connecting cable must be de-energized.

Assembly:

It is recommended that the installation be carried out by a specialist company. We ask for your understanding that we can only assume a warranty if properly installed.

Hang the lamp at eye level or slightly higher. This prevents glare from the light source.

Ceiling box and holder:



1. Place the lamp on the table or floor and align it to the desired position, for example on the table or in the room.
2. Plumb the fixing points to the ceiling and mount the rope holders on the points that have just been plumbed.
3. Mount the housing of the ceiling box in the desired position.
4. Pass the cable through the cover plate of the ceiling box, which remains on the luminaire for the time being.
5. Screw the end of the wire rope with the threaded part into the frame of the luminaire and insert the other end of the wire rope into the rope holders.
6. Bring the lamp to the desired height and then shorten the projecting ropes.
7. Now pull the cable through the strain relief clip in the ceiling box and tighten it. The cable is adjusted so that it describes a slight S-shape.
8. Shorten the cable and connect it.
9. Slide the cover up and secure it with the fastening screws.

Dimming:

The candlestick is equipped with a rotary knob

Cleaning:

It is recommended to clean the lamp with a soft, dry cloth. The glass elements can be cleaned with any commercially available glass cleaner.

