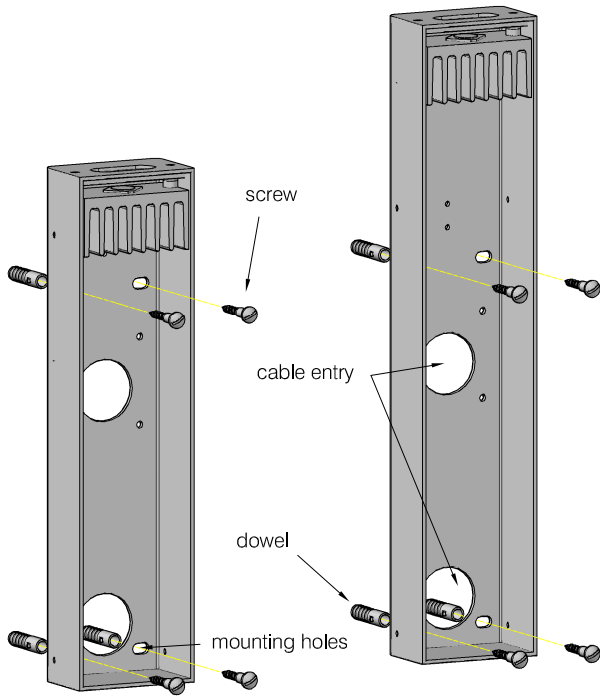
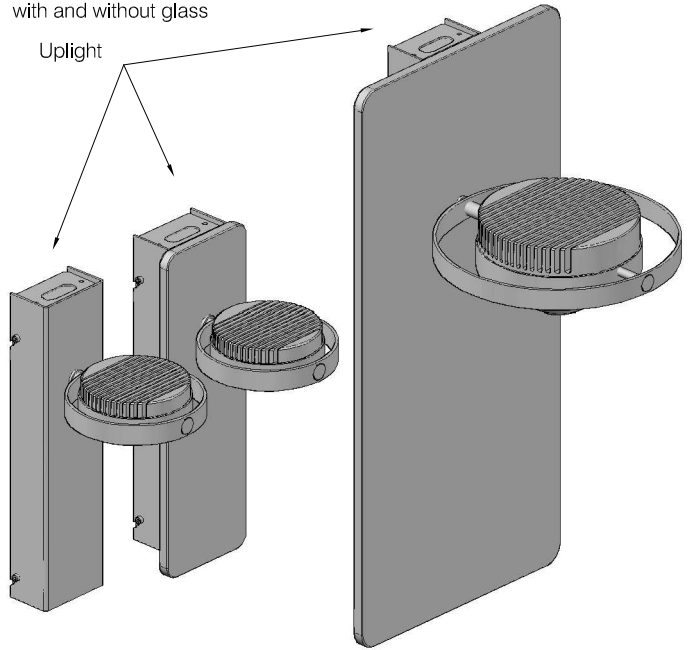


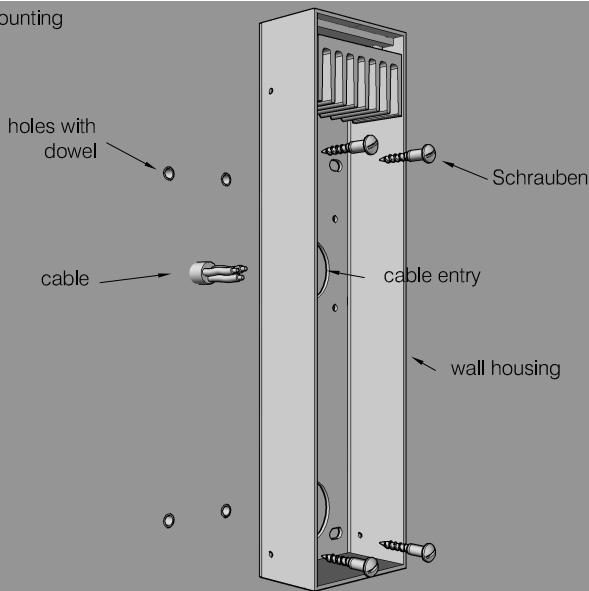
Wandgehäuse



Ocular wall
Ocular wall series 100
with and without glass



wall mounting



Note:

Hang the lamp at eye level or slightly higher. This prevents glare from the light source. The distance to the ceiling, as well as z. B. to a table under the light, must be at least 0.5m each.

ATTENTION!

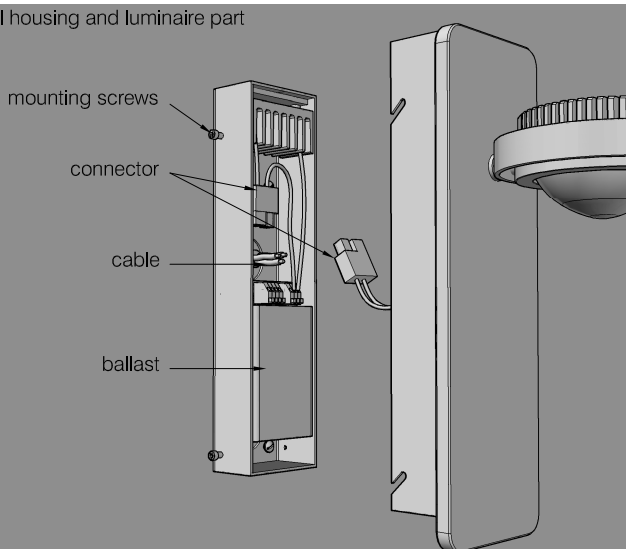
Before installation, the connecting cable must be de-energized.

Assembly:

It is recommended that the installation be carried out by a specialist company. We ask for your understanding that we can only assume a warranty if properly installed.

1. Loosen the fastening screws and disconnect the luminaire part from the wall housing. The fastening screws remain in the wall housing.
2. Feed the supply cable through the cable gland and mark the drill holes through the mounting holes of the wall housing.
3. Fix the mounting plate to the wall with a dowel and screw.
4. Connect the supply cables to the ballast and the ground wire.
5. Plug the two connectors together and hook the light part onto the mounting screws. Make sure that no cable is pinched.
6. Hand-tighten the fastening screws.
7. The light is grounded when the wall plate is properly connected to the mounting plate.
8. The fixing screws must not be loosened by hand. Use a toothed washer on one of the four screws to prevent the screw from loosening. (According to DIN EN60598, in the case of mechanical connections that represent a protective ground connection, it must be prevented that this connection is loosened). The luminaire may only be operated when fully assembled.

wall housing and luminaire part



Dimming:

The ballast has an interface for a 1-10V dimmer. Dimmer please test before the permanent installation.

Cleaning:

It is recommended to clean the lamp with a soft, dry cloth. The glass elements can be cleaned with any commercially available glass cleaner.