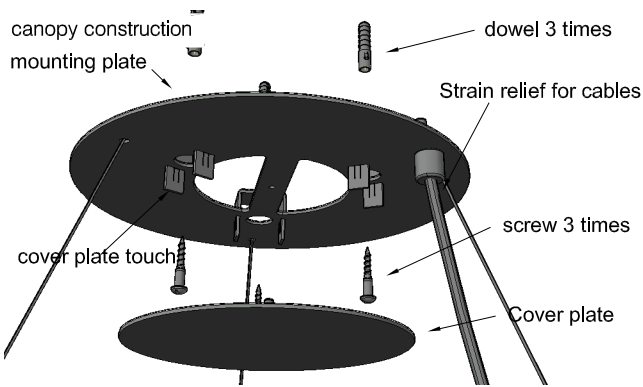


This lamp contains a light source with an energy efficiency class <D>



Notice:

The distance to the ceiling, as well as to objects and people under the lamp, must be at least 0.5m.

ATTENTION!

Before installation, the connecting cable must be de-energized.

Assembly:

We recommend having the installation carried out by a specialist company. We ask for your understanding that we can only provide a guarantee if the installation is carried out correctly.

1. Determine the position of the chandelier in the room and first place it on a clean, soft surface on the floor.
2. Plumb the center point of the chandelier to the ceiling (to the power cord in the ceiling) and attach the canopy mounting plate to the ceiling.
3. Pull the ropes through the rope holes in the mounting plate from above. The rope ball should lie in the rope hole
4. Insert the ends of the rope into the rope holder of the chandelier and pull the rope through the rope holder until the chandelier hangs at the desired height.
5. Insert the lamp cable from below through the strain relief of the canopy and guide it through the cable opening.
6. Then shorten the cable to the desired length and connect it to the supply line.
7. Screw the cover plate onto the mounting plate. When doing this, make sure that you do not turn any further when the plate touches the contact points of the plate.
8. Adjust the chandelier using a spirit level. Danger! The ropes must not be pushed more than 3 cm into the chandelier. Note the representation of the handling of the rope holder.
9. Adjust the cable length and slightly tighten the strain relief locking screw.

Dimming:

The chandelier is equipped with a button. Short press: switch on / off. Press and hold: dim.

Synchronizing the light circuits (lamp switched on):

- Step 1:** Press and hold the button for more than one second (long PUSH) to dim. All LEDs start to dim up or down.
- Step 2:** Press the button again, but only briefly (<1s). This means that all LEDs go out.
- Step 3:** Another long press (more than a second) will sync the drivers and the LEDs will work together again.

Cleaning:

It is recommended to clean the light with a soft, dry cloth. You can clean the glass elements with any commercially available glass cleaner.

canopy from above

